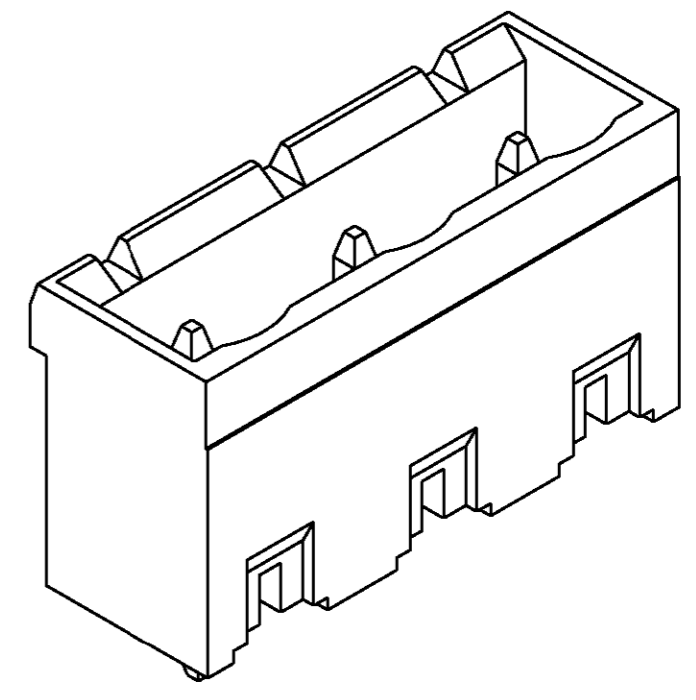
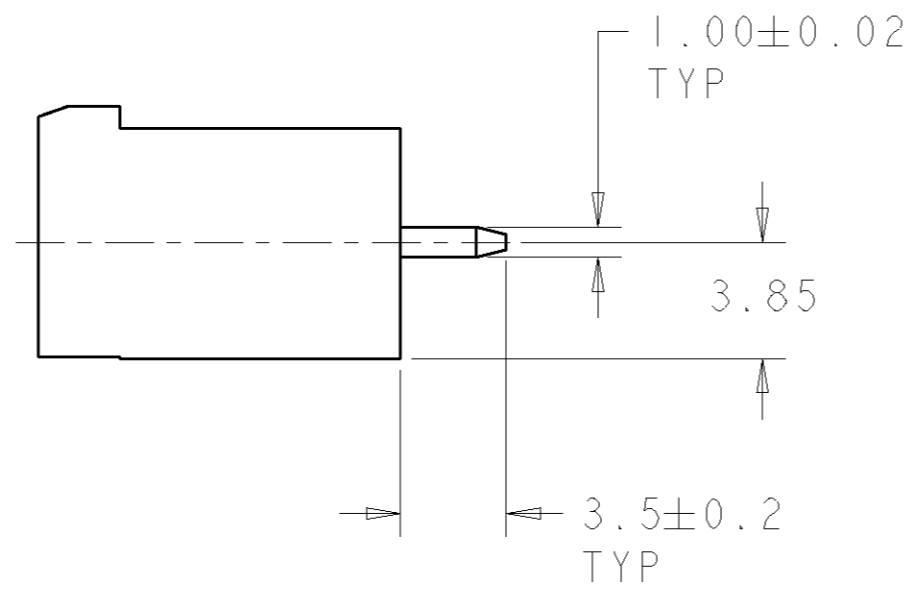
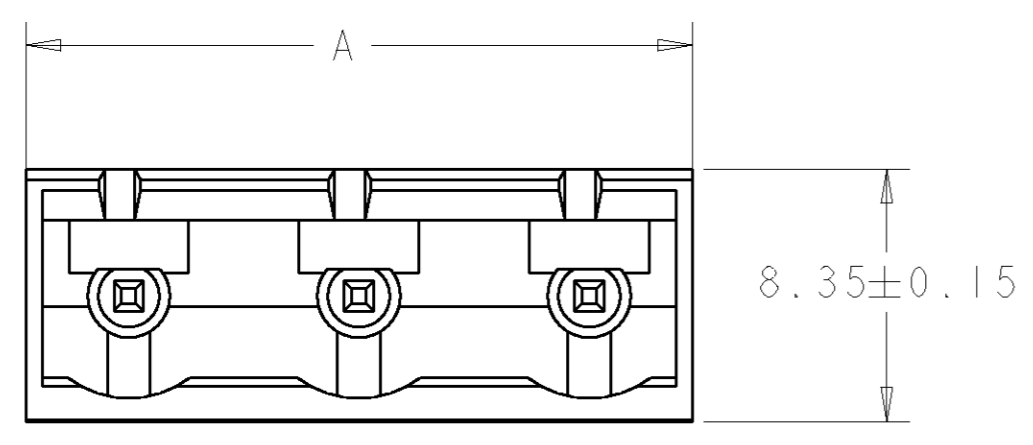
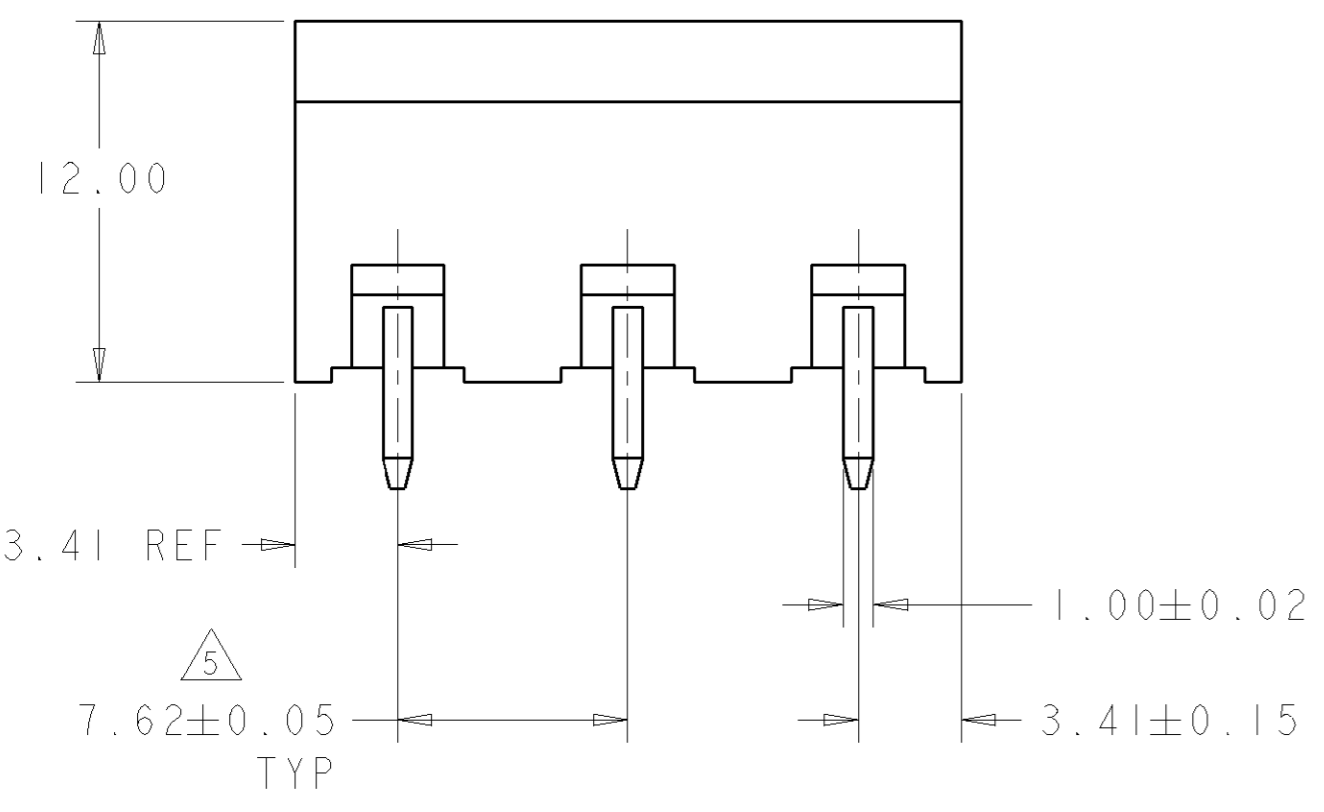


THIS DRAWING IS UNPUBLISHED. RELEASED FOR PUBLICATION 20
 © COPYRIGHT 20 BY TYCO ELECTRONICS CORPORATION. ALL RIGHTS RESERVED.

| LOC | DIST | REVISIONS | | | |
|-----|------|-------------------------|-----------|-----|------|
| P | LTR | DESCRIPTION | DATE | DWN | APVD |
| | A | RELEASED | 29MAR2001 | EZ | DB |
| | E | REVISED EC 0G3B-0199-02 | 04JUN2003 | SW | CR |

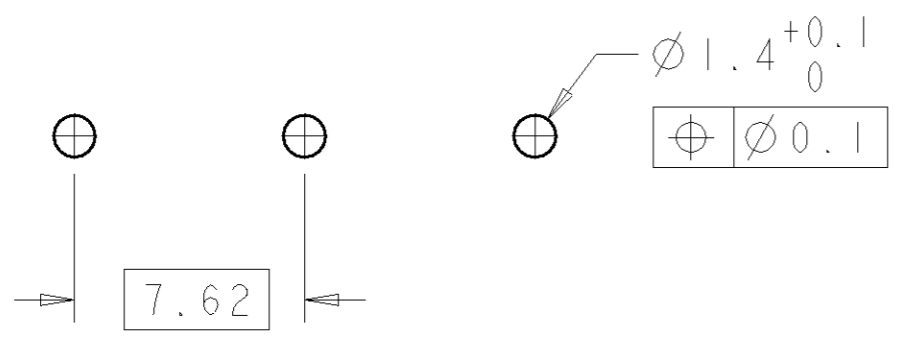


796980-3 AS SHOWN



- 1. MATERIALS AND FINISH:
 HOUSING: PA 6-6, UL 94-V0, COLOR: SEE TABLE.
 TERMINAL: PHOSPHOR BRONZE, TIN PLATED.
 - 2. SUITABLE FOR 1,6-2, 4mm PC BOARD THICKNESS.
 - 3. RECOGNIZED UNDER THE COMPONENT PROGRAM OF UNDERWRITERS LABORATORIES INC. FILE N° E60677.
 - 4. IMQ CERTIFICATE WITH SURVEILLANCE IN CONFORMITY WITH IEC 998-1/998-2-1.)
5. NOT CUMULATIVE TOLERANCE

| | | | |
|----------------|-------|------------|-------------|
| GRAY | 14.44 | 2 | 2-796980-2 |
| GREEN | 90.64 | 12 | 1-796980-2 |
| GREEN | 83.02 | 11 | 1-796980-1 |
| GREEN | 75.40 | 10 | 1-796980-0 |
| GREEN | 67.78 | 9 | 796980-9 |
| GREEN | 60.16 | 8 | 796980-8 |
| GREEN | 52.54 | 7 | 796980-7 |
| GREEN | 44.92 | 6 | 796980-6 |
| GREEN | 37.30 | 5 | 796980-5 |
| GREEN | 29.68 | 4 | 796980-4 |
| GREEN | 22.06 | 3 | 796980-3 |
| GREEN | 14.44 | 2 | 796980-2 |
| MATERIAL COLOR | A | NO OF POSN | PART NUMBER |



RECOMMENDED PC BOARD LAYOUT

| | | | |
|--|--|---|---|
| <small>THIS DRAWING IS A CONTROLLED DOCUMENT FOR TYCO ELECTRONICS CORPORATION. IT IS SUBJECT TO CHANGE AND THE CONTROLLING ENGINEERING ORGANIZATION SHOULD BE CONTACTED FOR THE LATEST REVISION.</small> | | DWN 29MAR2001 E. ZANOLINI CHK 29MAR2001 D. BIEVENOUR APVD 29MAR2001 D. BIEVENOUR | BUCHANAN Tyco Electronics Harrisburg, PA 17105-3608 |
| DIMENSIONS: mm | TOLERANCES UNLESS OTHERWISE SPECIFIED: 0 PLC ± 1 PLC ±0.2 2 PLC ± 3 PLC ± 4 PLC ± ANGLES ± FINISH | PRODUCT SPEC - APPLICATION SPEC - WEIGHT - | NAME: TERMINAL BLOCK, HEADER ASSEMBLY 180 DEGREES, CLOSED ENDS 7.62mm, PITCH SIZE: A2 CAGE CODE: 00779 DRAWING NO: 796980 RESTRICTED TO: - |
| MATERIAL: | | CUSTOMER DRAWING SCALE: 4:1 SHEET 1 OF 1 REV E | |